

ColorConnect™ Precision Adapters & Test Essentials™ Lab Adapters

AT-A-GLANCE PERFORMANCE COMPARISON



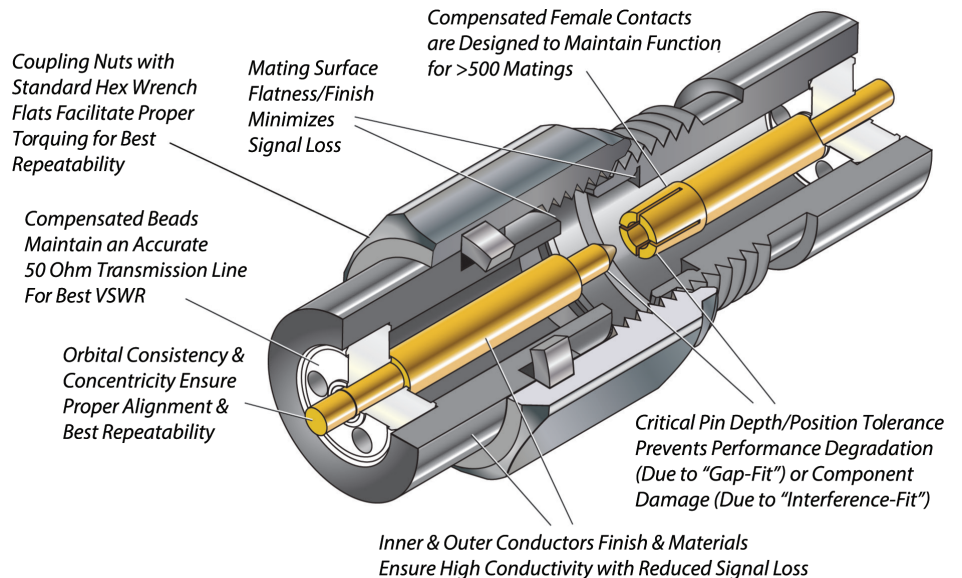
ColorConnect™ Precision Adapters

ColorConnect™ Precision Adapters have been designed for lab and field use where quality, performance, ease-of-identification and ease-of-use are critical. New manufacturing techniques have given ColorConnect™ Precision Adapters improved VSWR specifications bridging the gap between calibration-grade metrology adapters and daily-use lab adapters. Following the proposed IEEE high-frequency connector/adaptor color convention, ColorConnect™ Precision Adapters are the first commercially available products to offer clear indications of compatibility and intermatability. ColorConnect™ makes it a simple matter to avoid and eliminate damaged equipment, degraded equipment reliability, degraded performance and lengthy maintenance times due to improper mating (and attempted mating) of incompatible adapters. ColorConnect™ Precision Adapters are available in N Type, 3.5mm, 2.92mm, 2.4mm and 1.85mm in-series and between-series.



Test Essentials™ Lab Adapters

Test Essentials™ Lab Adapters have been designed for daily use in microwave/RF labs and production facilities and offer one of the industry's best price/performance values. Test Essentials™ Lab Adapters feature excellent electrical performance, rugged construction for durability, repeatable mating and high reliability. Test Essentials™ Lab Adapters are available in SMA, N, 3.5mm, 2.92mm, 2.4mm and 1.85mm in-series and between-series configurations.

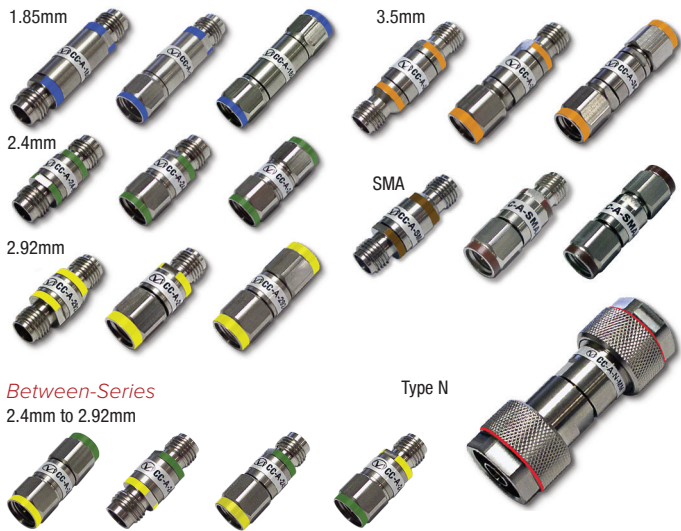


Shop Online for Test Essentials™ Lab Adapters & ColorConnect™ Precision Adapters Online at the Maury Store: (<http://www.maurymw.com/store>)

Proposed IEEE High-Frequency Connector/Adapter Color Convention (Available with Maury ColorConnect™ Precision Adapters)

BROWN		SMA
RED		TYPE N
ORANGE		3.5mm
YELLOW		2.92mm (K)
GREEN		2.4mm
BLUE		1.85mm (V)

ColorConnect™ Adapters — In-Series



Test Essentials™ Lab Adapters — In-Series



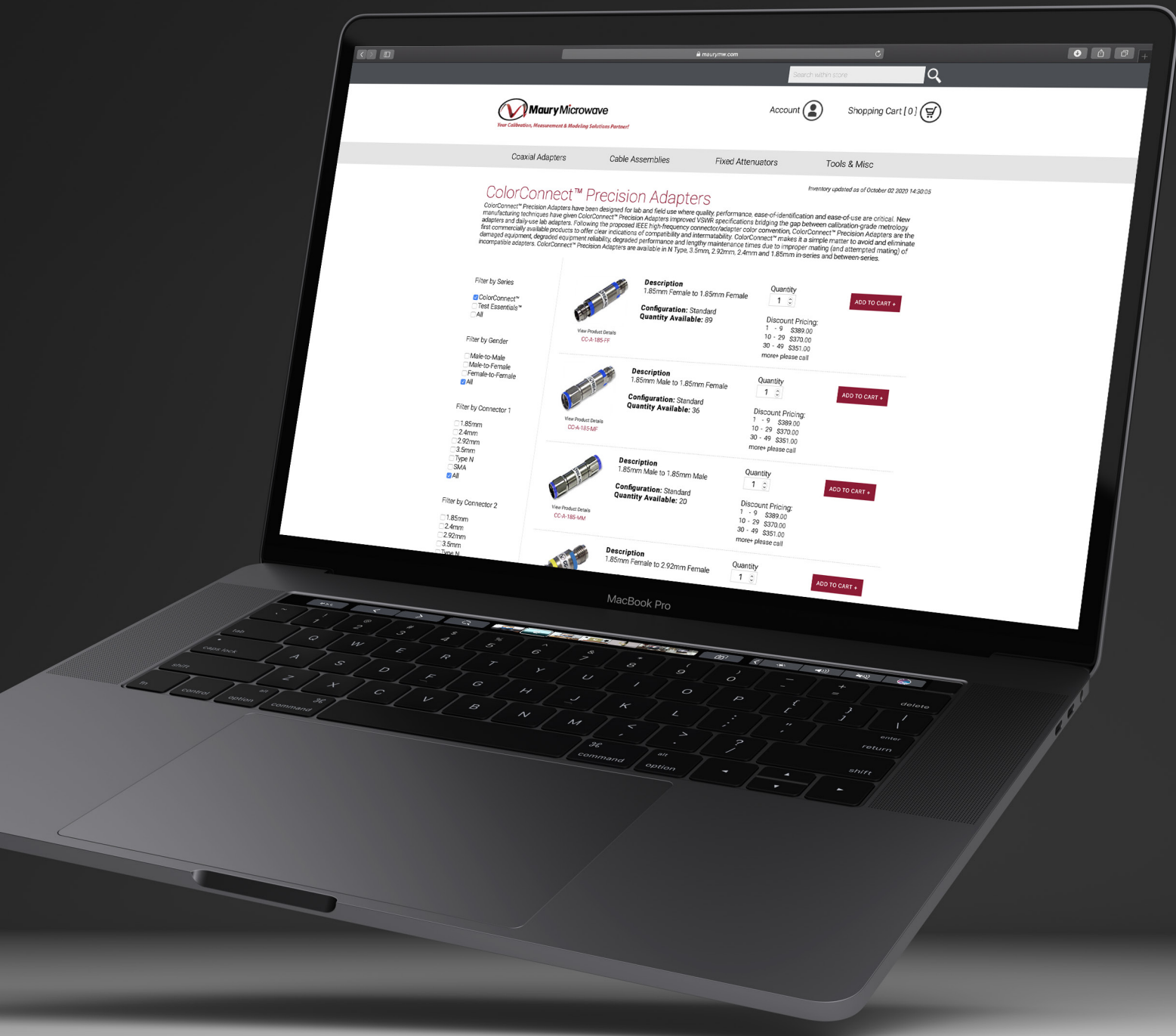
Available Models

ColorConnect™ Precision Adapters				
Model	Connector 1	Connector 2	Frequency	VSWR
CC-A-SMA-FF	SMA Female	SMA Female	DC – 18.0	1.15
CC-A-SMA-MF	SMA Male	SMA Female	DC – 18.0	1.15
CC-A-SMA-MM	SMA Male	SMA Male	DC – 18.0	1.15
CC-A-SMAN-FF	SMA Female	N Female	DC – 18.0	1.14
CC-A-SMAN-MM	SMA Male	N Male	DC – 18.0	1.14
CC-A-SMAN-FM	SMA Female	N Male	DC – 18.0	1.14
CC-A-SMAN-MF	SMA Male	N Female	DC – 18.0	1.14
CC-A-N-FF	N Female	N Female	DC – 18.0	1.15
CC-A-N-MM	N Male	N Male	DC – 18.0	1.15
CC-A-N-MF	N Male	N Female	DC – 18.0	1.15
CC-A-35N-FF	3.5mm Female	N Female	DC – 18.0	1.14
CC-A-35N-MM	3.5mm Male	N Male	DC – 18.0	1.14
CC-A-35N-FM	3.5mm Female	N Male	DC – 18.0	1.14
CC-A-35N-MF	3.5mm Male	N Female	DC – 18.0	1.14
CC-A-35-FF	3.5mm Female	3.5mm Female	DC – 26.5	1.12
CC-A-35-MM	3.5mm Male	3.5mm Male	DC – 26.5	1.12
CC-A-35-MF	3.5mm Male	3.5mm Female	DC – 26.5	1.12
CC-A-2435-FF	2.4mm Female	3.5mm Female	DC – 26.5	1.10
CC-A-2435-MM	2.4mm Male	3.5mm Male	DC – 26.5	1.10
CC-A-2435-FM	2.4mm Female	3.5mm Male	DC – 26.5	1.10
CC-A-2435-MF	2.4mm Male	3.5mm Fem	DC – 26.5	1.10
CC-A-292-FF	2.92mm Female	2.92mm Female	DC – 40.0	1.14
CC-A-292-MM	2.92mm Male	2.92mm Male	DC – 40.0	1.14
CC-A-292-MF	2.92mm Male	2.92mm Female	DC – 40.0	1.14
CC-A-24292-FF	2.4mm Female	2.92mm Female	DC – 40.0	1.14
CC-A-24292-MM	2.4mm Male	2.92mm Male	DC – 40.0	1.14
CC-A-24292-FM	2.4mm Female	2.92mm Male	DC – 40.0	1.14
CC-A-24292-MF	2.4mm Male	2.92mm Female	DC – 40.0	1.14
CC-A-185292-FF	1.85mm Female	2.92mm Female	DC – 40.0	1.14
CC-A-185292-MM	1.85mm Male	2.92mm Male	DC – 40.0	1.14
CC-A-185292-FM	1.85mm Female	2.92mm Male	DC – 40.0	1.14
CC-A-185292-MF	1.85mm Male	2.92mm Female	DC – 40.0	1.14
CC-A-24-FF	2.4mm Female	2.4mm Female	DC – 50.0	1.17
CC-A-24-MM	2.4mm Male	2.4mm Male	DC – 50.0	1.17
CC-A-24-MF	2.4mm Male	2.4mm Female	DC – 50.0	1.17
CC-A-185-FF	1.85mm Female	1.85mm Female	DC – 67.0	1.20
CC-A-185-MM	1.85mm Male	1.85mm Male	DC – 67.0	1.20
CC-A-185-MF	1.85mm Male	1.85mm Female	DC – 67.0	1.20

Available Models

Test Essentials™ Lab Adapters				
Model	Connector 1	Connector 2	Frequency	VSWR
TE-A-SMA-FF	SMA Female	SMA Female	DC – 18.0	1.15
TE-A-SMA-MM	SMA Male	SMA Male	DC – 18.0	1.15
TE-A-SMA-MF	SMA Male	SMA Female	DC – 18.0	1.15
TE-A-SMAN-FF	SMA Female	N Female	DC – 18.0	1.15
TE-A-SMAN-MM	SMA Male	N Male	DC – 18.0	1.15
TE-A-SMAN-FM	SMA Female	N Male	DC – 18.0	1.15
TE-A-SMAN-MF	SMA Male	N Female	DC – 18.0	1.15
TE-A-N-FF	N Female	N Female	DC – 18.0	1.15
TE-A-N-MM	N Male	N Male	DC – 18.0	1.15
TE-A-N-MF	N Male	N Female	DC – 18.0	1.15
TE-A-35N-FF	3.5mm Female	N Female	DC – 18.0	1.15
TE-A-35N-MM	3.5mm Male	N Male	DC – 18.0	1.15
TE-A-35N-FM	3.5mm Female	N Male	DC – 18.0	1.15
TE-A-35N-MF	3.5mm Male	N Female	DC – 18.0	1.15
TE-A-35-FF	3.5mm Female	3.5mm Female	DC – 26.5	1.12
TE-A-35-MM	3.5mm Male	3.5mm Male	DC – 26.5	1.12
TE-A-35-MF	3.5mm Male	3.5mm Female	DC – 26.5	1.12
TE-A-2435-FF	2.4mm Female	3.5mm Female	DC – 26.5	1.10
TE-A-2435-MM	2.4mm Male	3.5mm Male	DC – 26.5	1.10
TE-A-2435-FM	2.4mm Female	3.5mm Male	DC – 26.5	1.10
TE-A-2435-MF	2.4mm Male	3.5mm Female	DC – 26.5	1.10
TE-A-292-FF	2.92mm Female	2.92mm Female	DC – 40.0	1.17
TE-A-292-MM	2.92mm Male	2.92mm Male	DC – 40.0	1.17
TE-A-292-MF	2.92mm Male	2.92mm Female	DC – 40.0	1.17
TE-A-24292-FF	2.4mm Female	2.92mm Female	DC – 40.0	1.14
TE-A-24292-MM	2.4mm Male	2.92mm Male	DC – 40.0	1.14
TE-A-24292-FM	2.4mm Female	2.92mm Male	DC – 40.0	1.14
TE-A-24292-MF	2.4mm Male	2.92mm Female	DC – 40.0	1.14
TE-A-185292-FF	1.85mm Female	2.92mm Female	DC – 40.0	1.14
TE-A-185292-MM	1.85mm Male	2.92mm Male	DC – 40.0	1.14
TE-A-185292-FM	1.85mm Female	2.92mm Male	DC – 40.0	1.14
TE-A-185292-MF	1.85mm Male	2.92mm Female	DC – 40.0	1.14
TE-A-24-FF	2.4mm Female	2.4mm Female	DC – 50.0	1.22
TE-A-24-MM	2.4mm Male	2.4mm Male	DC – 50.0	1.22
TE-A-24-MF	2.4mm Male	2.4mm Female	DC – 50.0	1.22
TE-A-185-FF	1.85mm Female	1.85mm Female	DC – 67.0	1.20
TE-A-185-MM	1.85mm Male	1.85mm Male	DC – 67.0	1.20
TE-A-185-MF	1.85mm Male	1.85mm Female	DC – 67.0	1.20

VISIT OUR WEB STORE TO BROWSE
OUR INVENTORY OF IN-STOCK
CABLES AND ADAPTERS



www.maurymw.com



CONTACT US:

W / maurymw.com

E / maury@maurymw.com

P / +1-909-987-4715

F / +1-909-987-1112

2900 Inland Empire Blvd

Ontario, CA 91764

